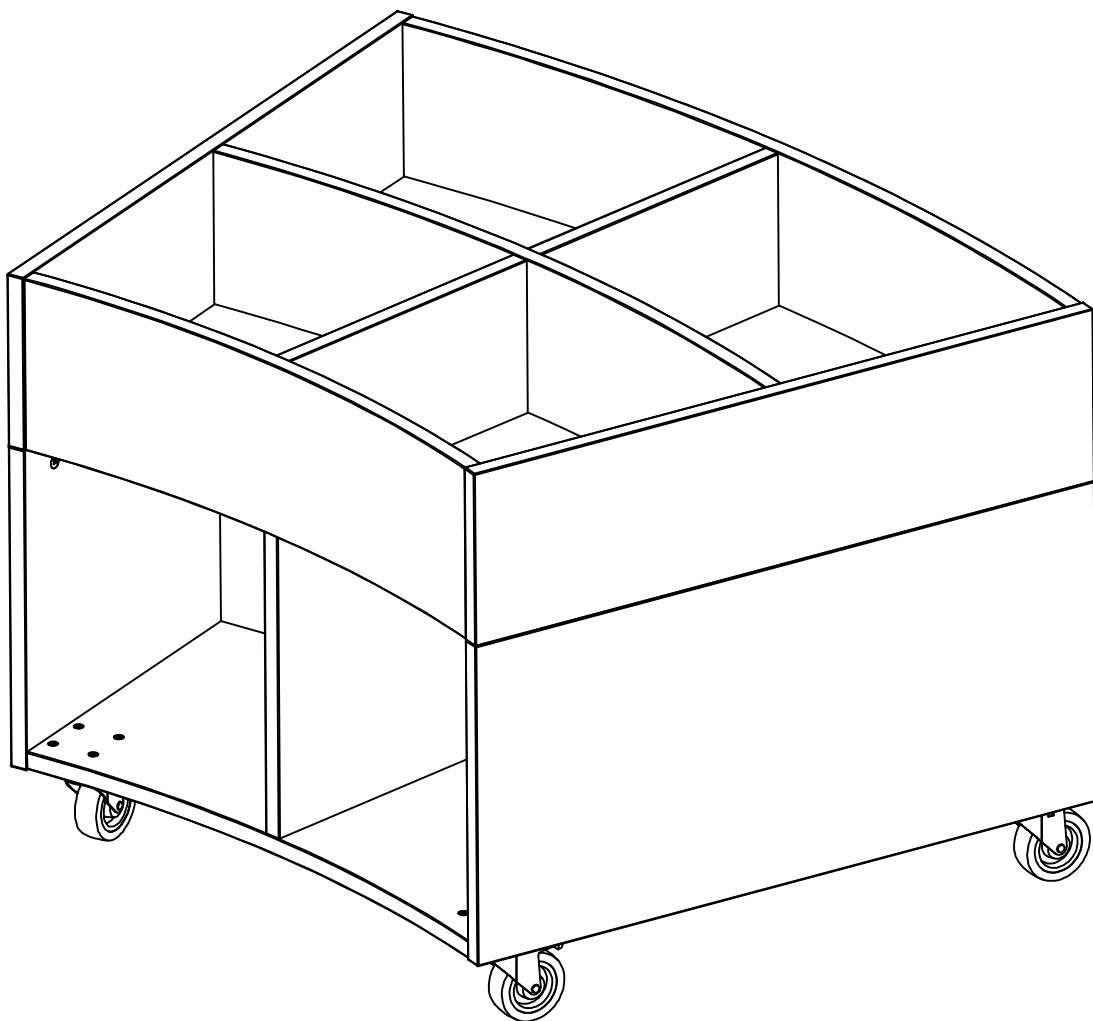


Assembly Guide

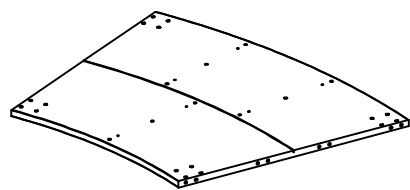
Sara Round Midi



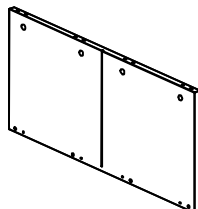
07.2019

First check the contents to make sure that nothing is missing. Sort out the screws and fittings as shown.
Assemble your furniture step by step, as shown in the illustrations.

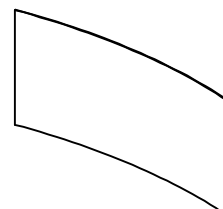
Sara Round Midi



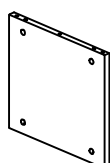
A (E459200)
x1



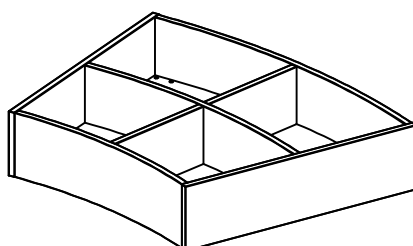
B (E459202)
x2



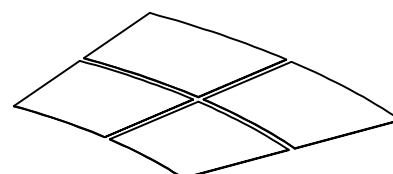
C (E459204)
x1



D (E459206)
x3



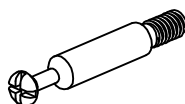
E (E4590)
x1



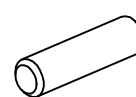
F (E459012)
x1



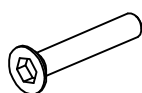
G (E45670708)
x28



H (E43341705)
x28



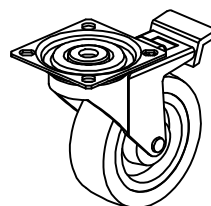
I (E45670706)
x34



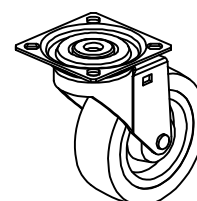
J (E45670704)
x16



K (E45670705)
x16



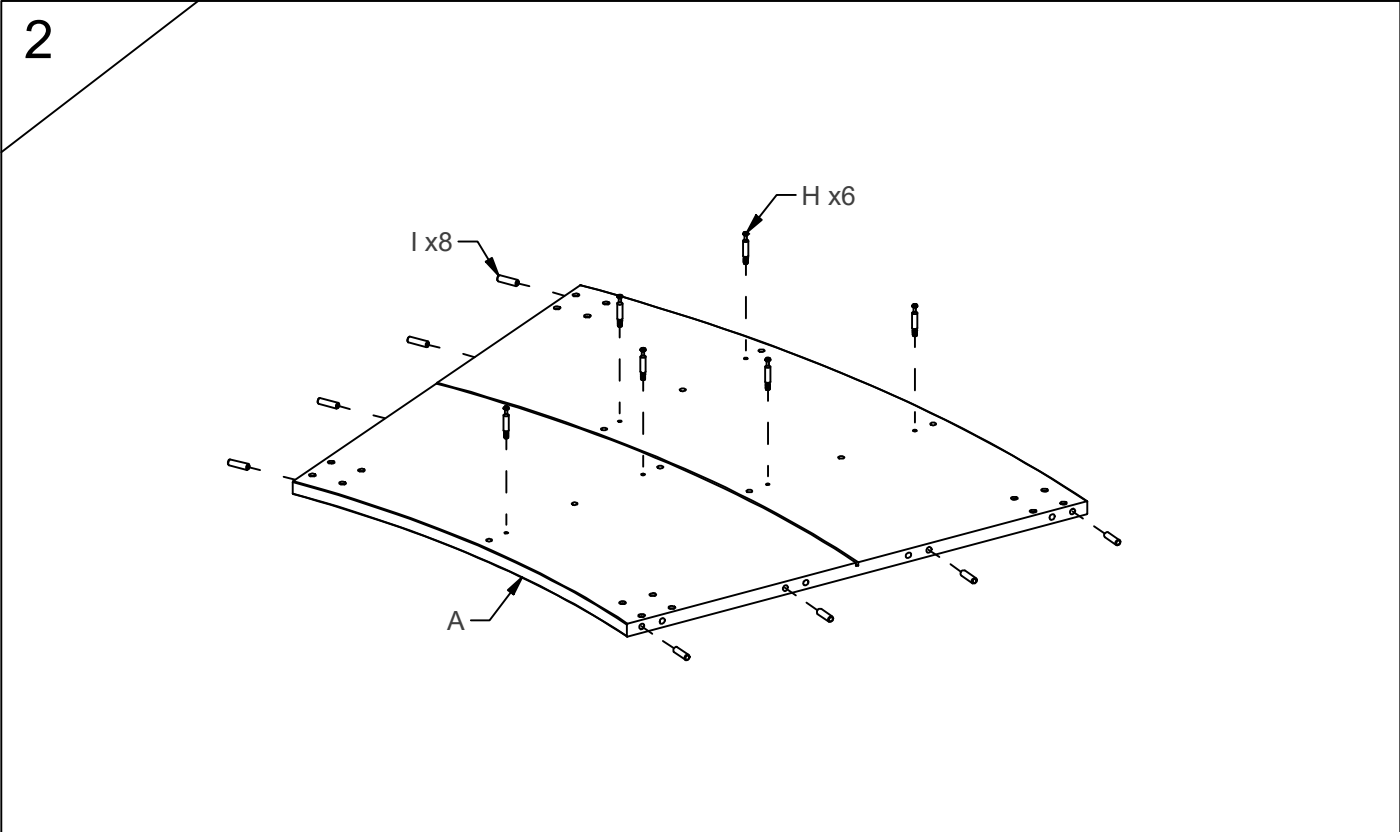
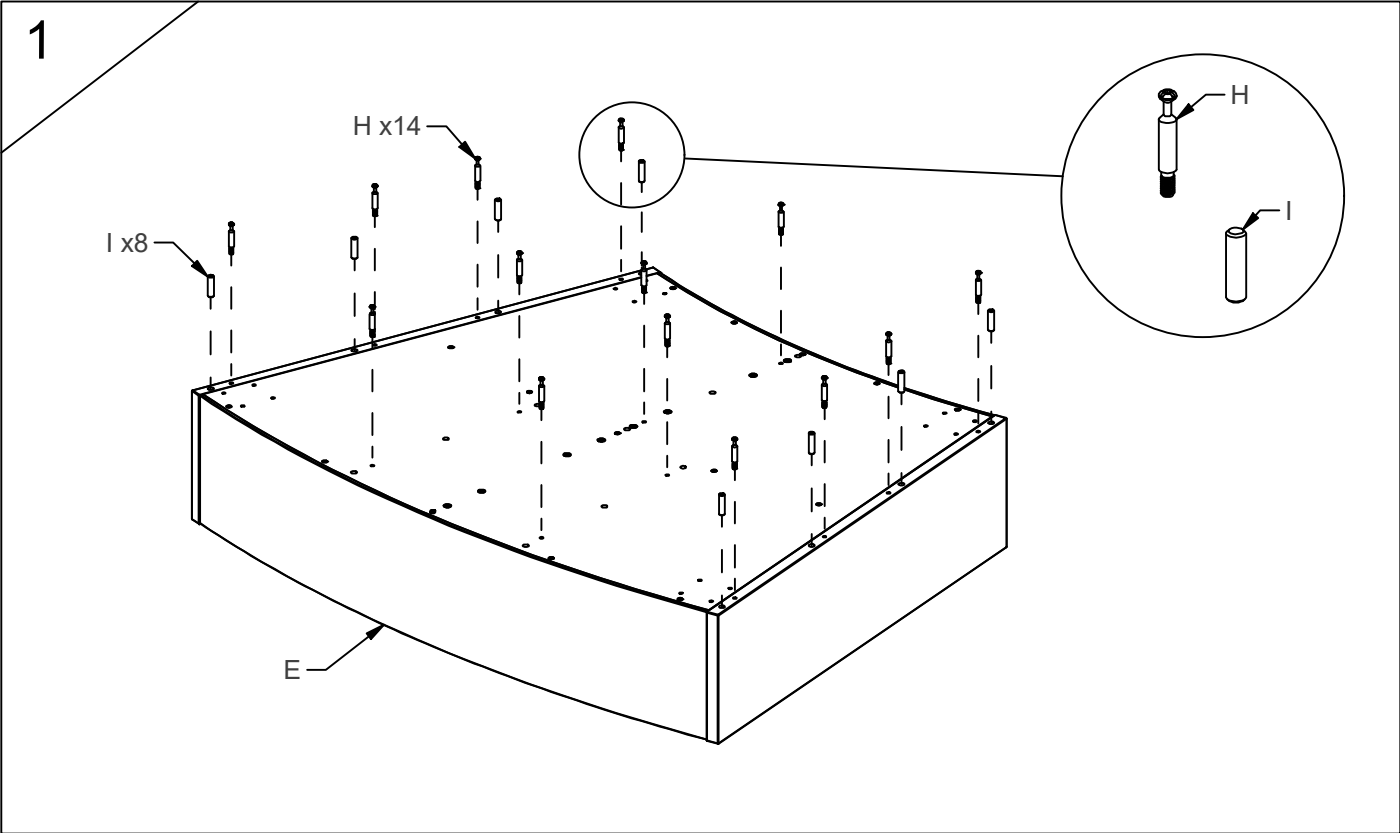
L (E45670702)
x4



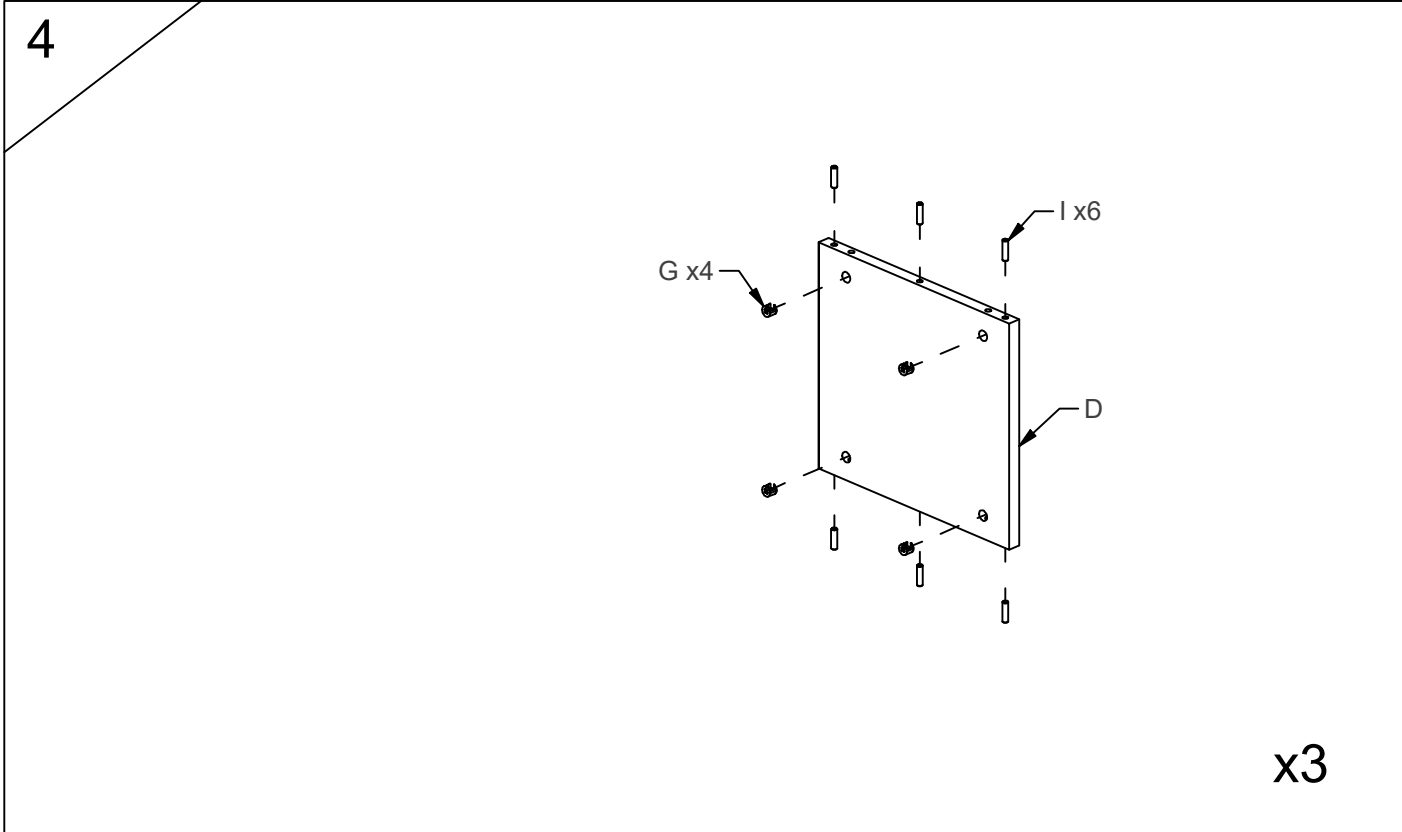
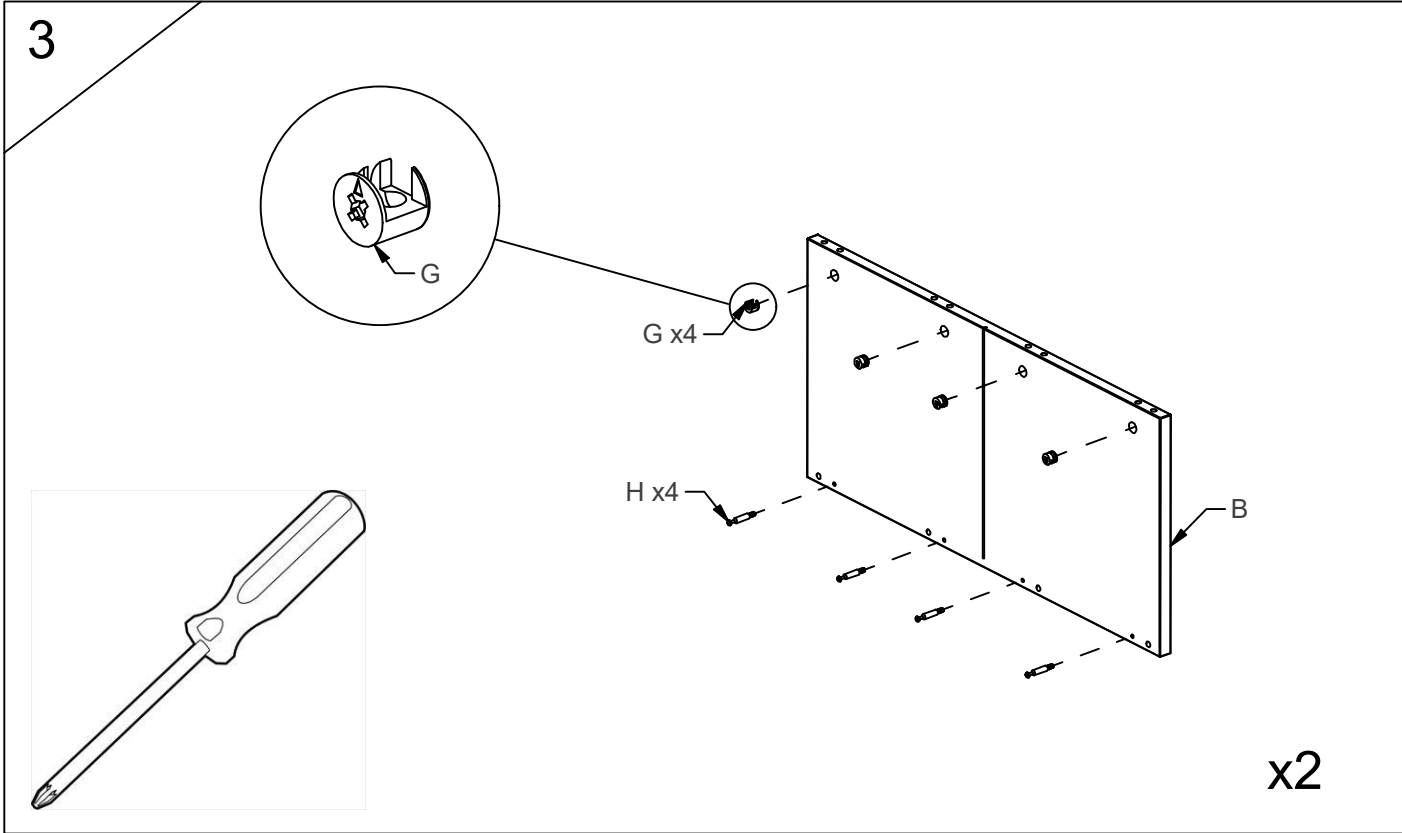
M (E45670703)
x4

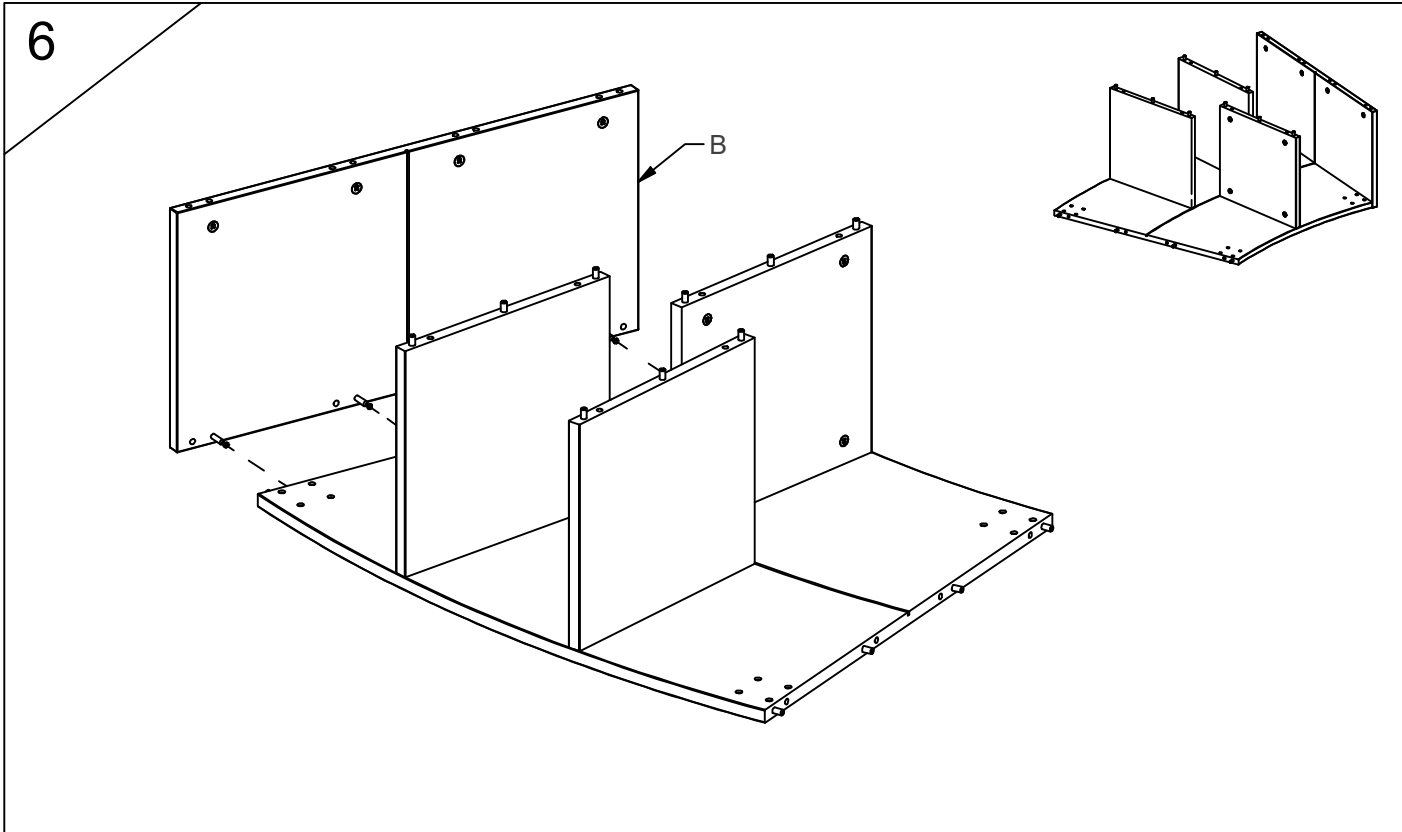
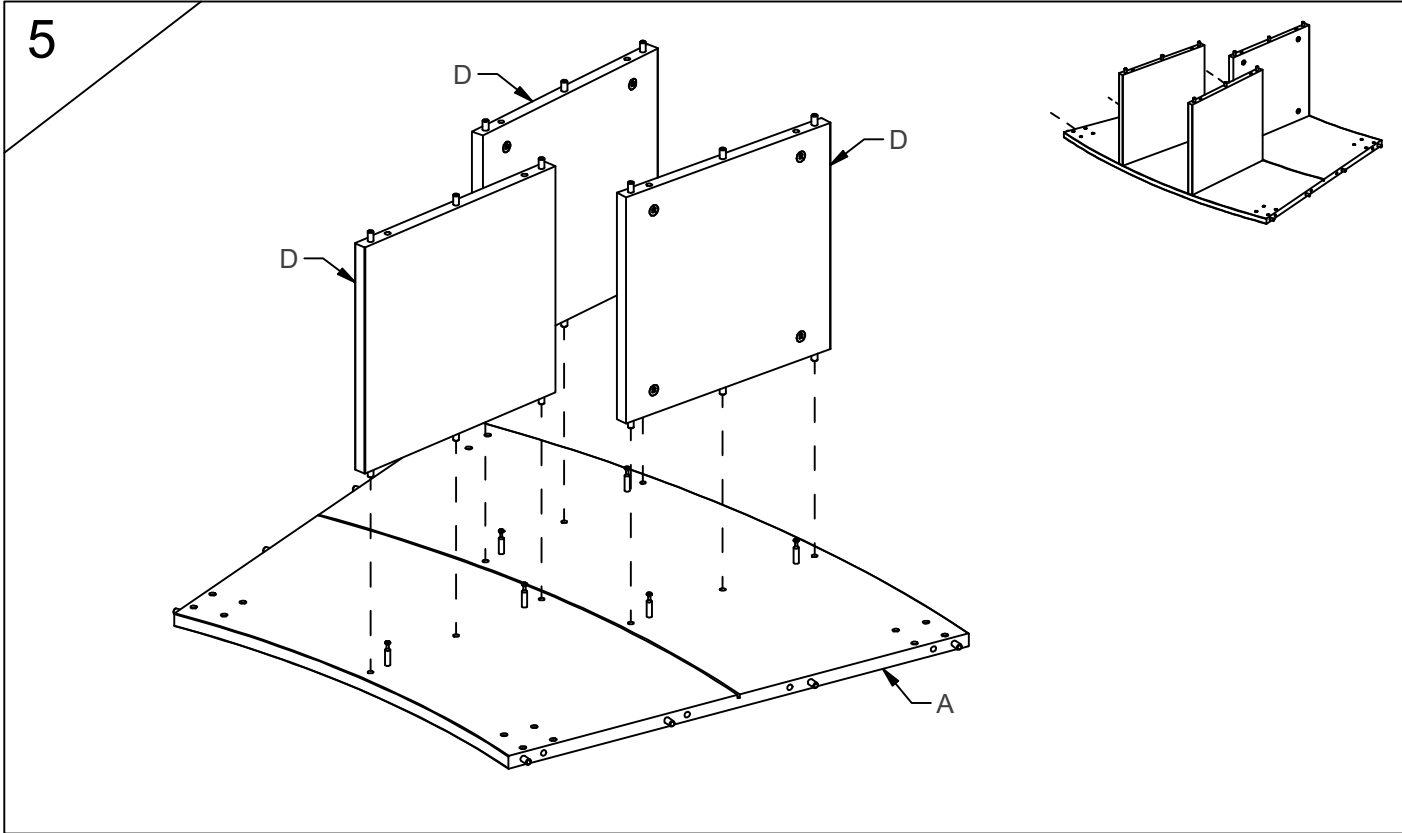
Assembly Guide

Sara Round Midi



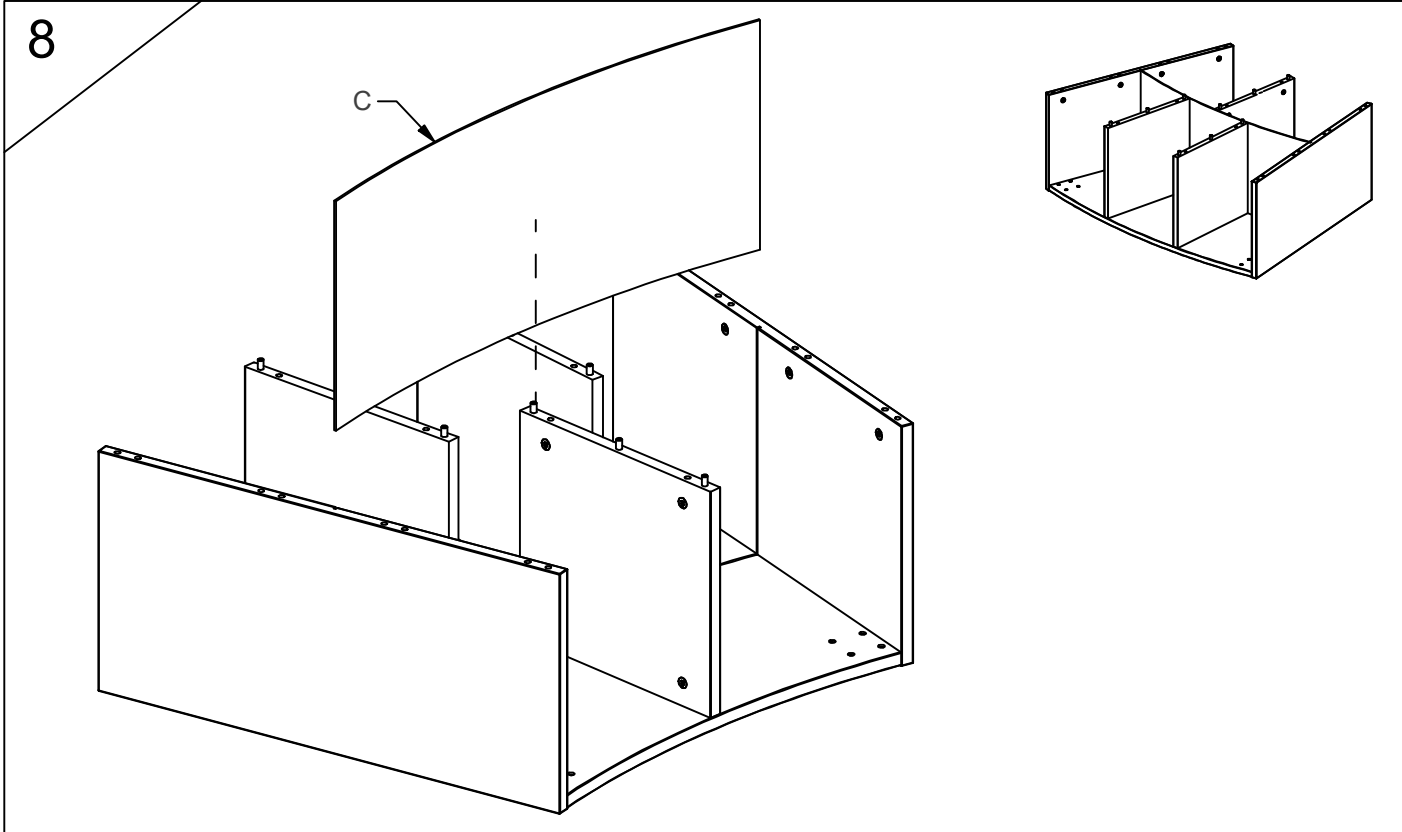
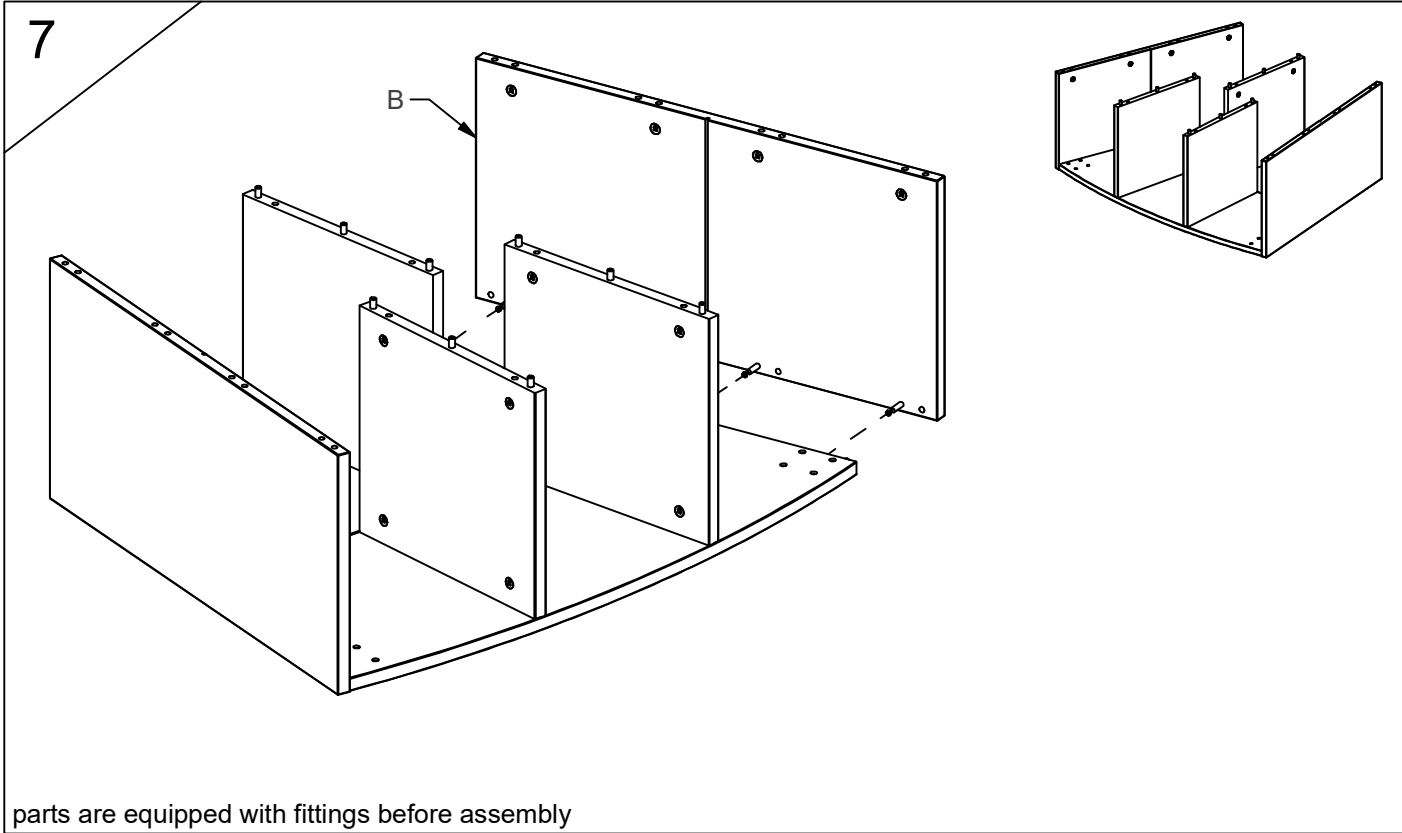
Sara Round Midi





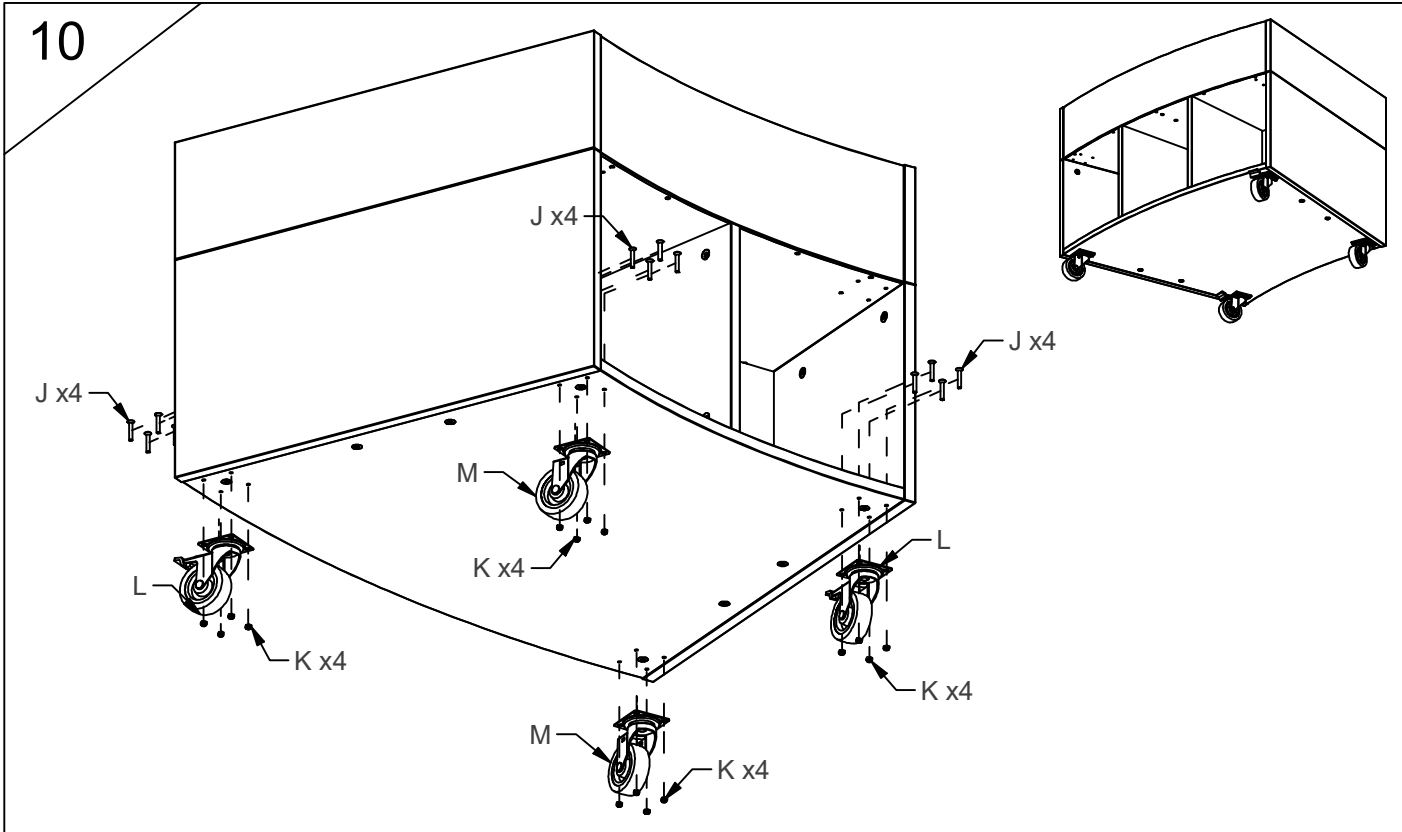
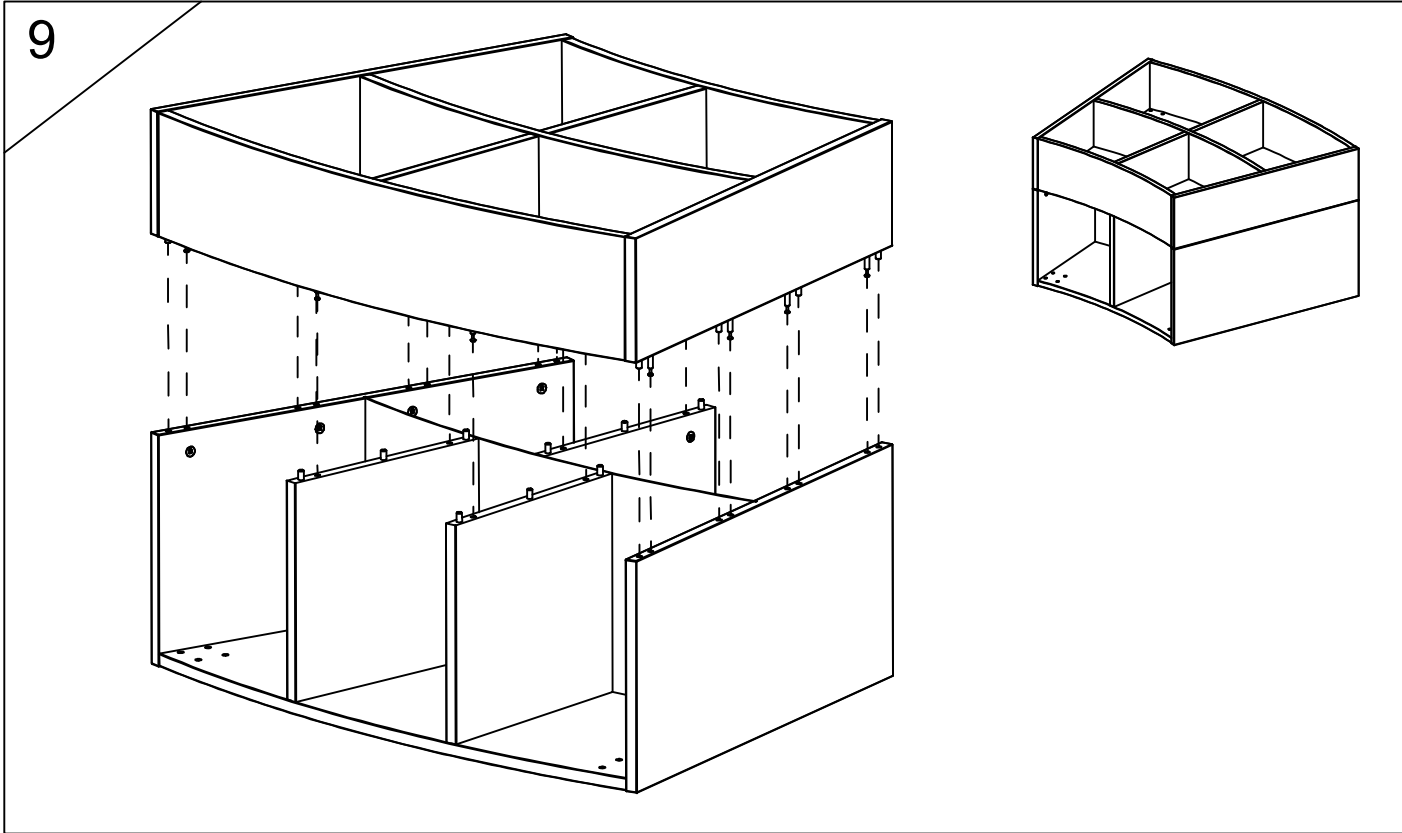
Assembly Guide

Sara Round Midi



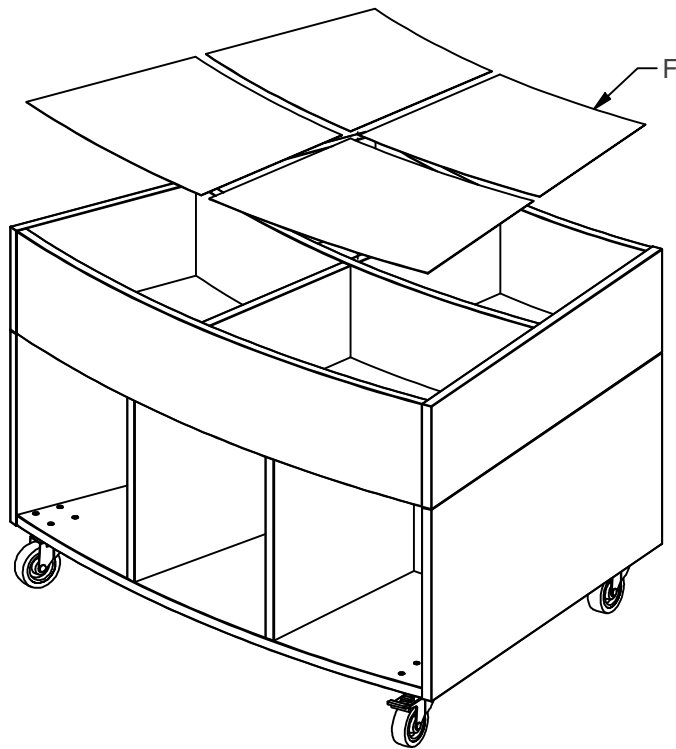
Assembly Guide

Sara Round Midi



Sara Round Midi

11



12

